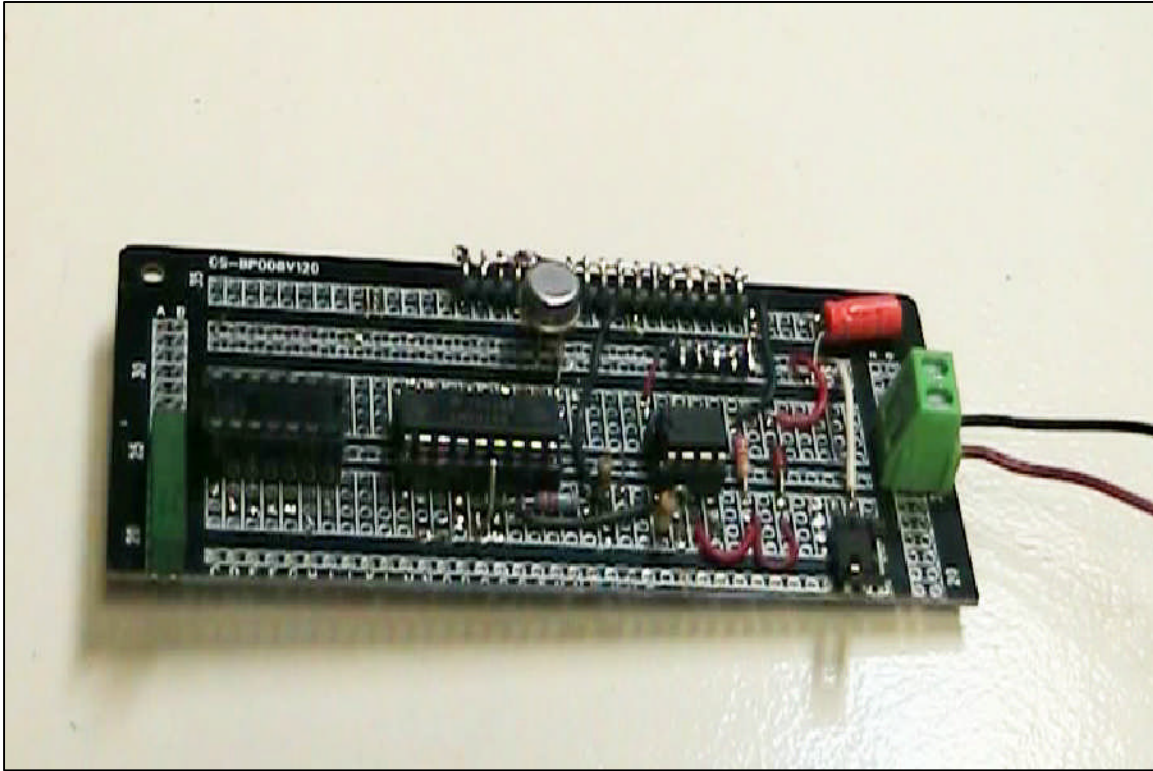


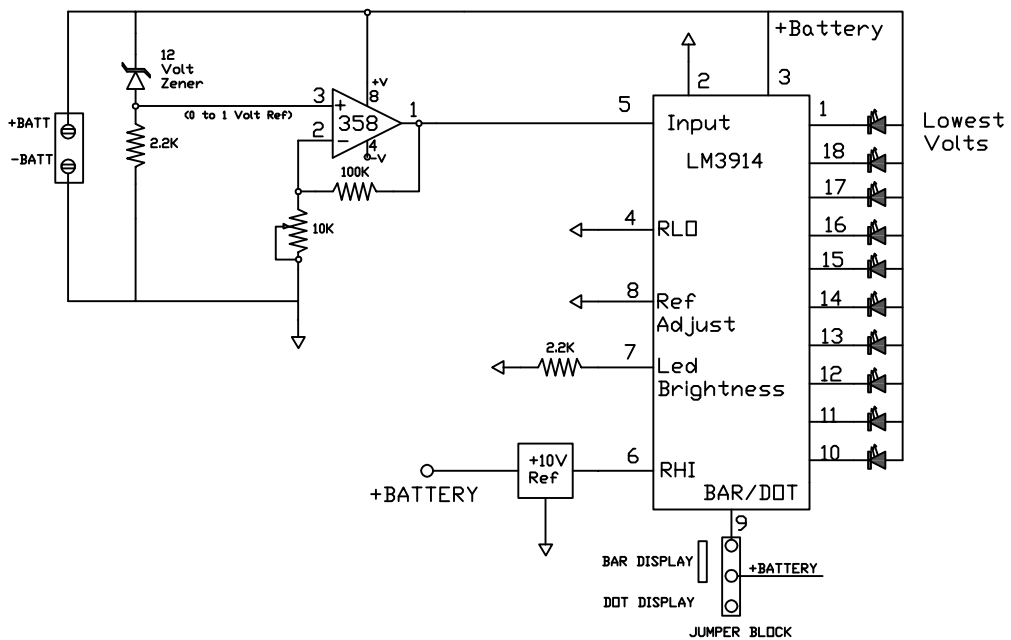
Battery Monitor

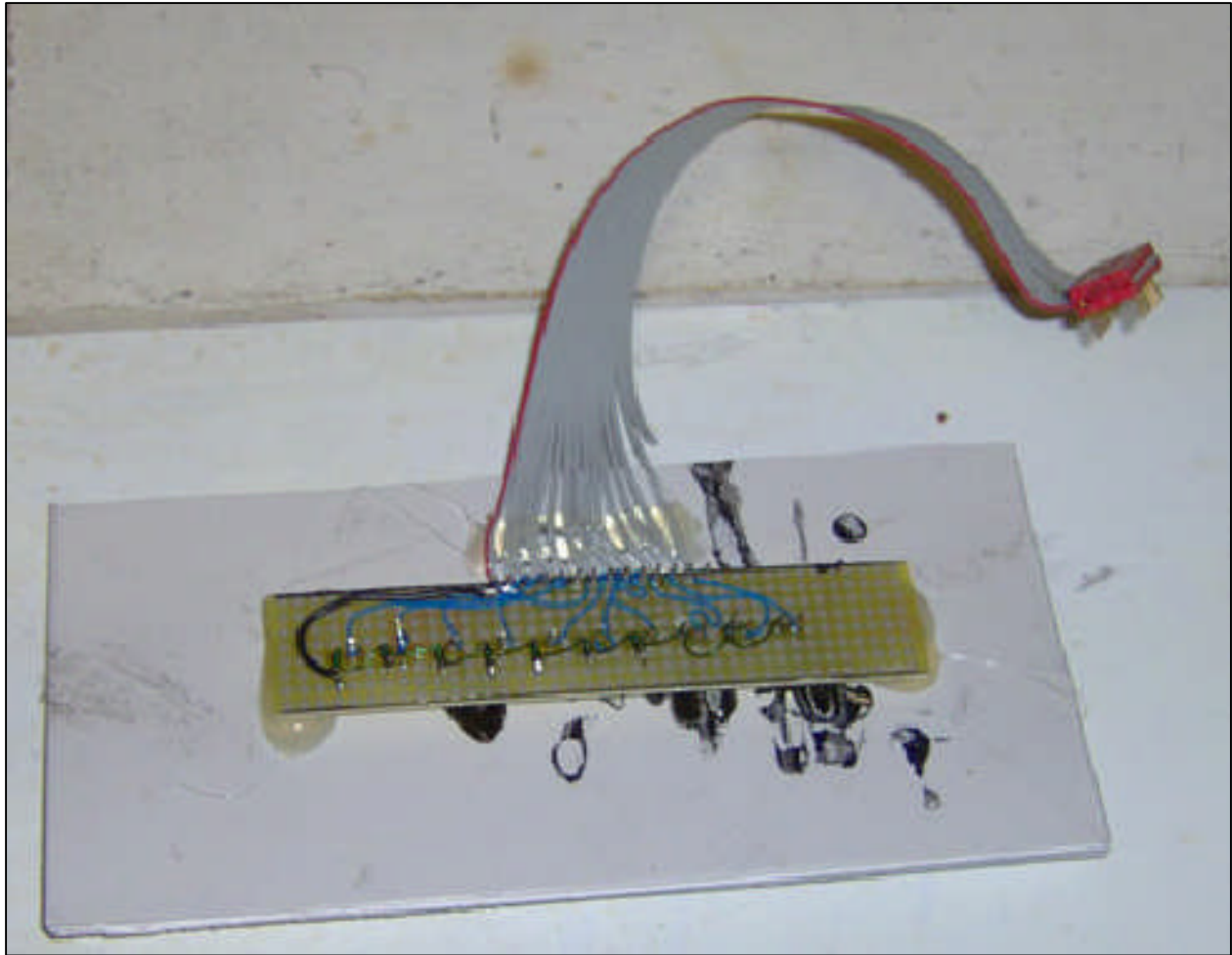


Designed and sweated over by: Larry Gentleman
January 2010

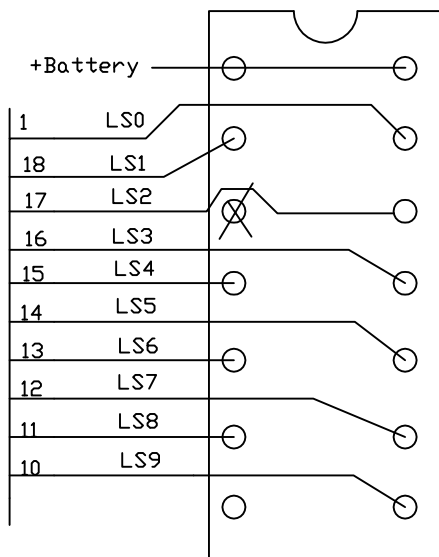


Schematic and componets on a Prototype Board

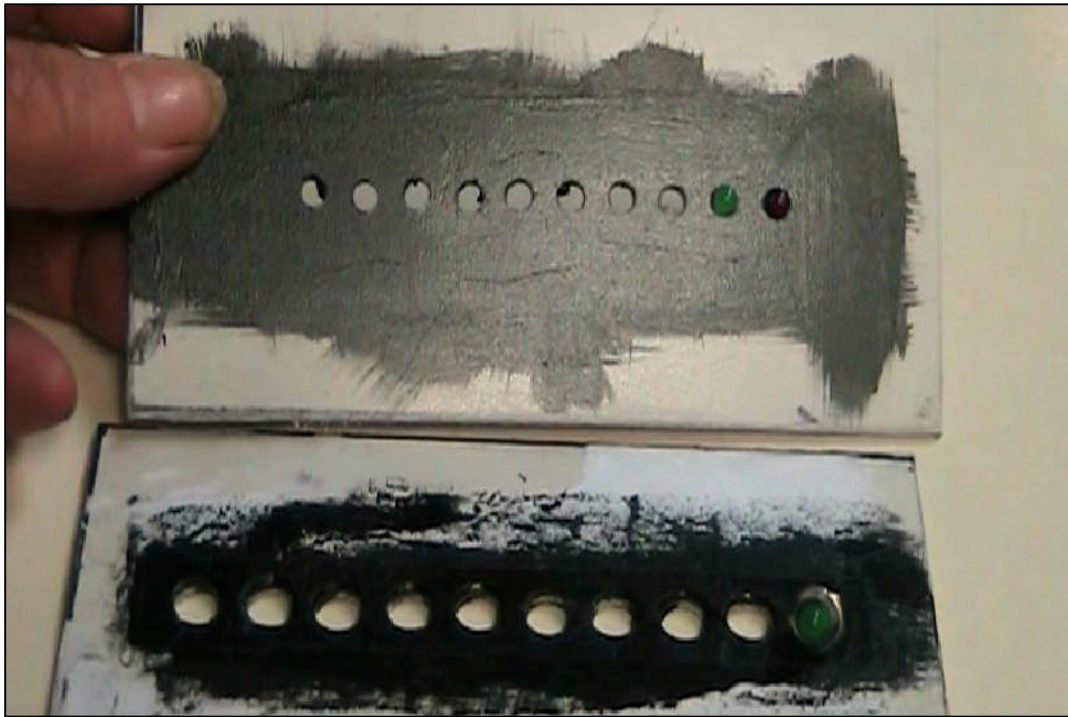




Getting 11 wires out to a front panel that has 10 leds was quite a task. Good wiring job if I do say so myself.

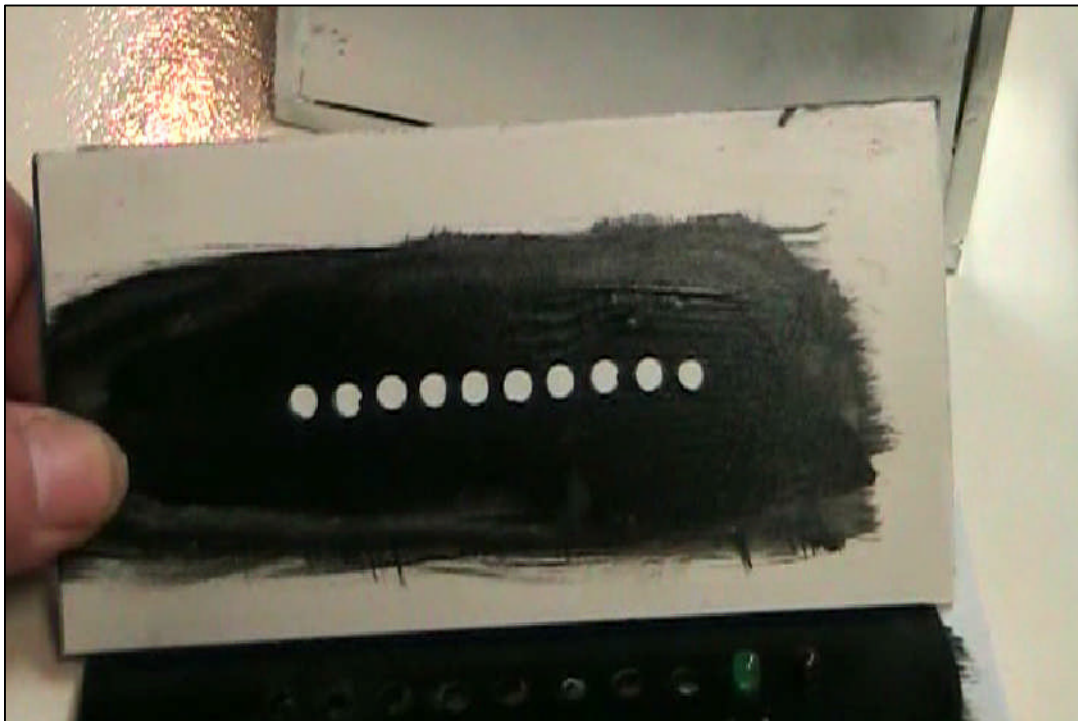


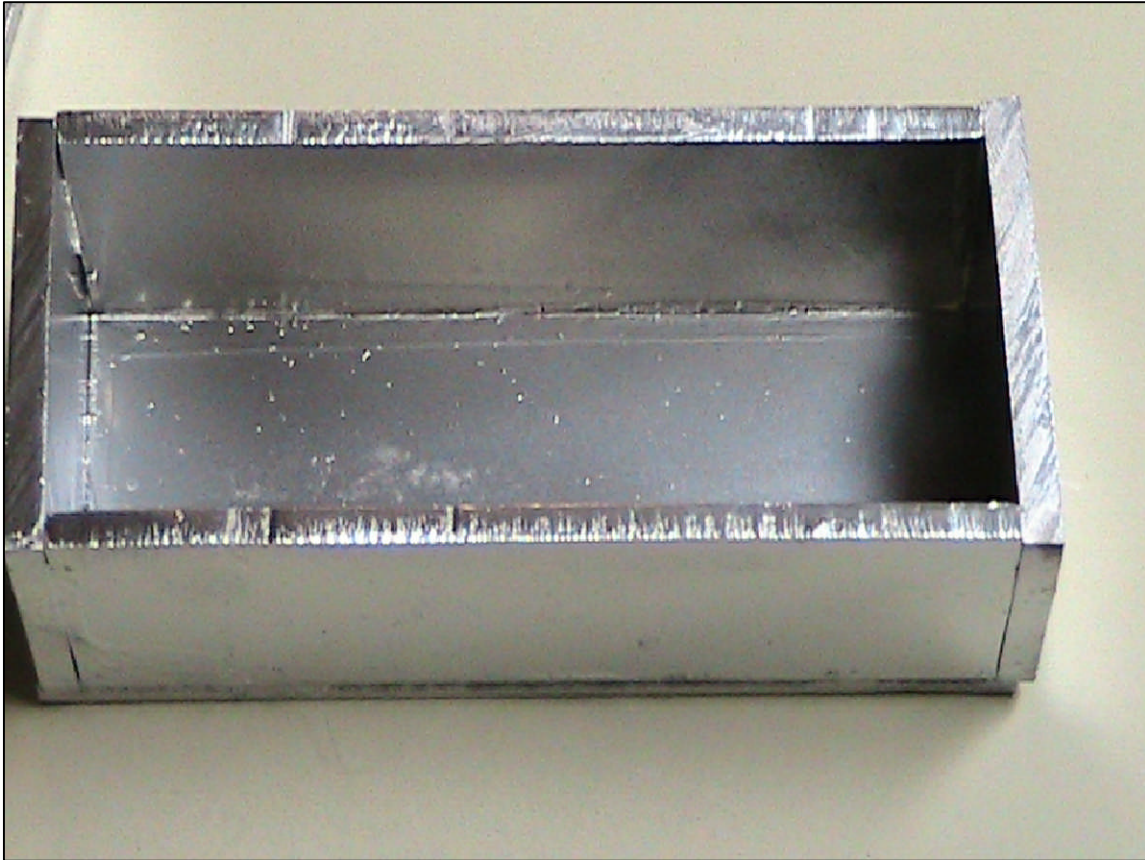
14	BROWN	+Battery
1	RED	
13	ORANGE	LS0-1
2	YELLOW	LS1-18
12	GREEN	LS2-17
3	BLUE	
11	PURPLE	LS3-16
4	GREY	LS4-15
10	WHITE	LS5-14
5	BLACK	LS6-13
9	BROWN	LS7-12
6	RED	LS8-11
8	ORANGE	LS9-10
7	YELLOW	NC



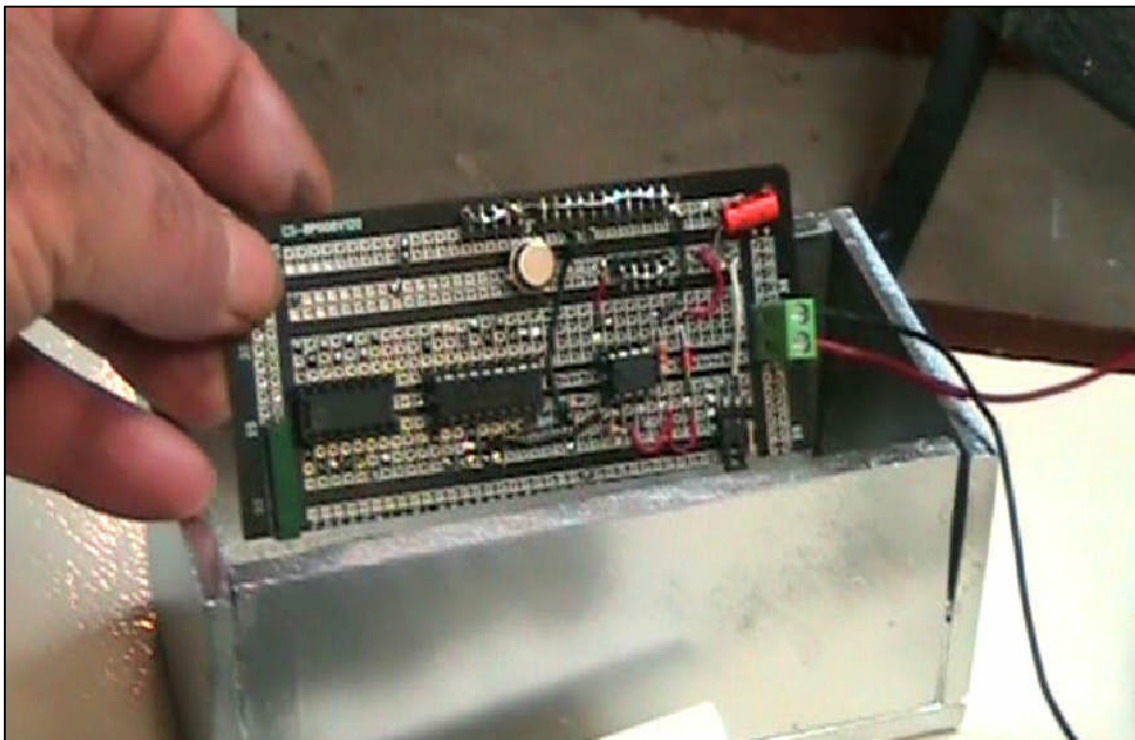
I made three front panels with different spacing just to be different. That's thirty holes and getting them in a line was a pain in the neck.

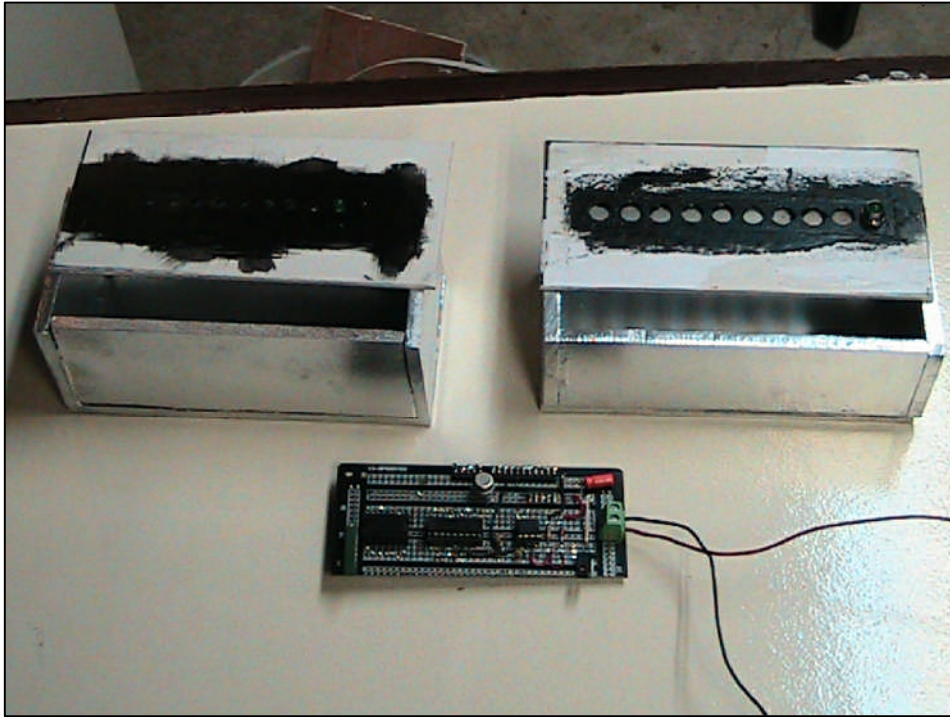
Now what's all that black paint you say ?





Boxing up the Project. Still can't get that working with $\frac{1}{4}$ " plastic down to an art.





Kind of professional. It is always nice to make more than one of something. By the second or third you have it down to a art. But you have to have a good design or all that work is for ought!

