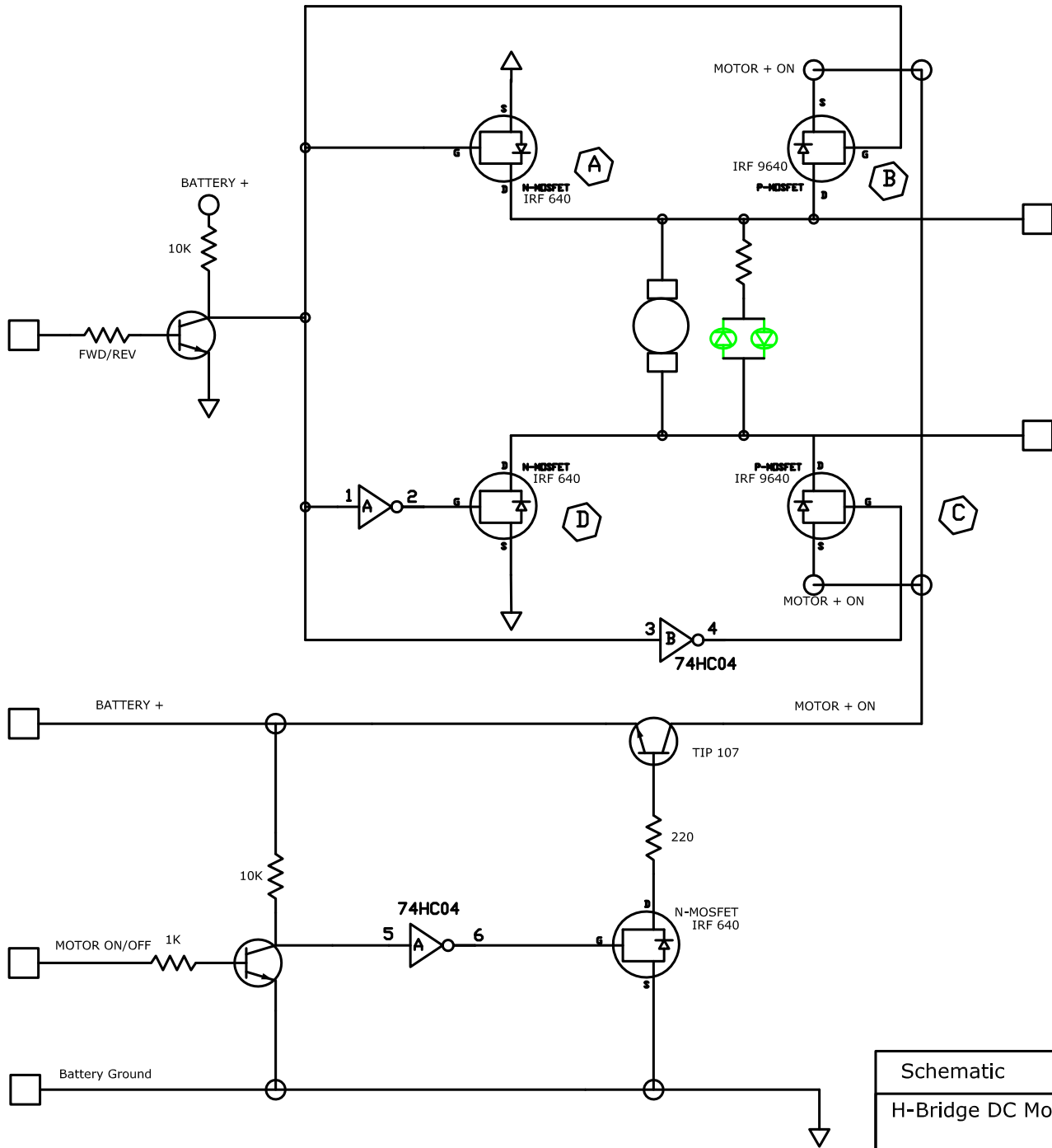


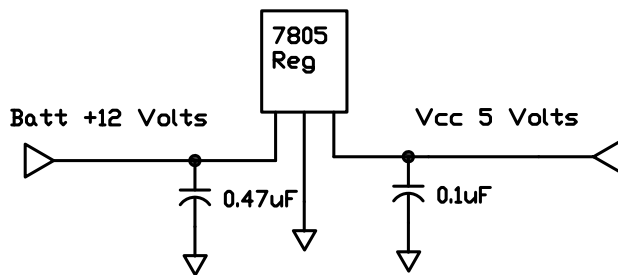
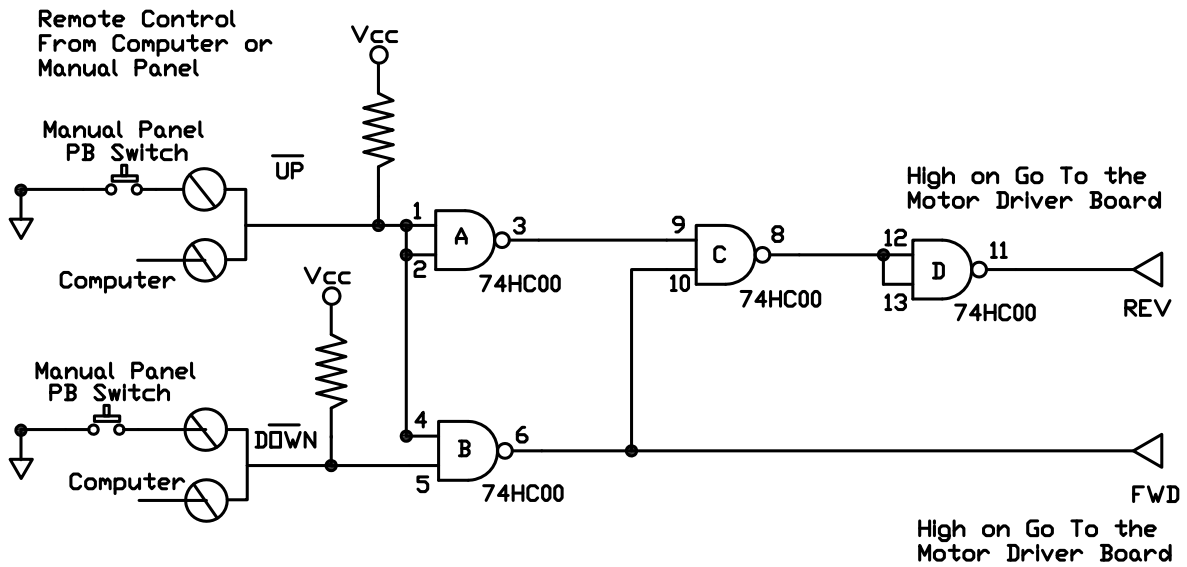
01/27/2009

Boxed and Working	
H-Bridge DC Motor Controller	
Sheet 7 of 8	Jan/2007



Schematic	
H-Bridge DC Motor Controller	
Sheet 1 of 8	Jan/2007

Interface to Motor Driver Board for Computer and Manual Panel



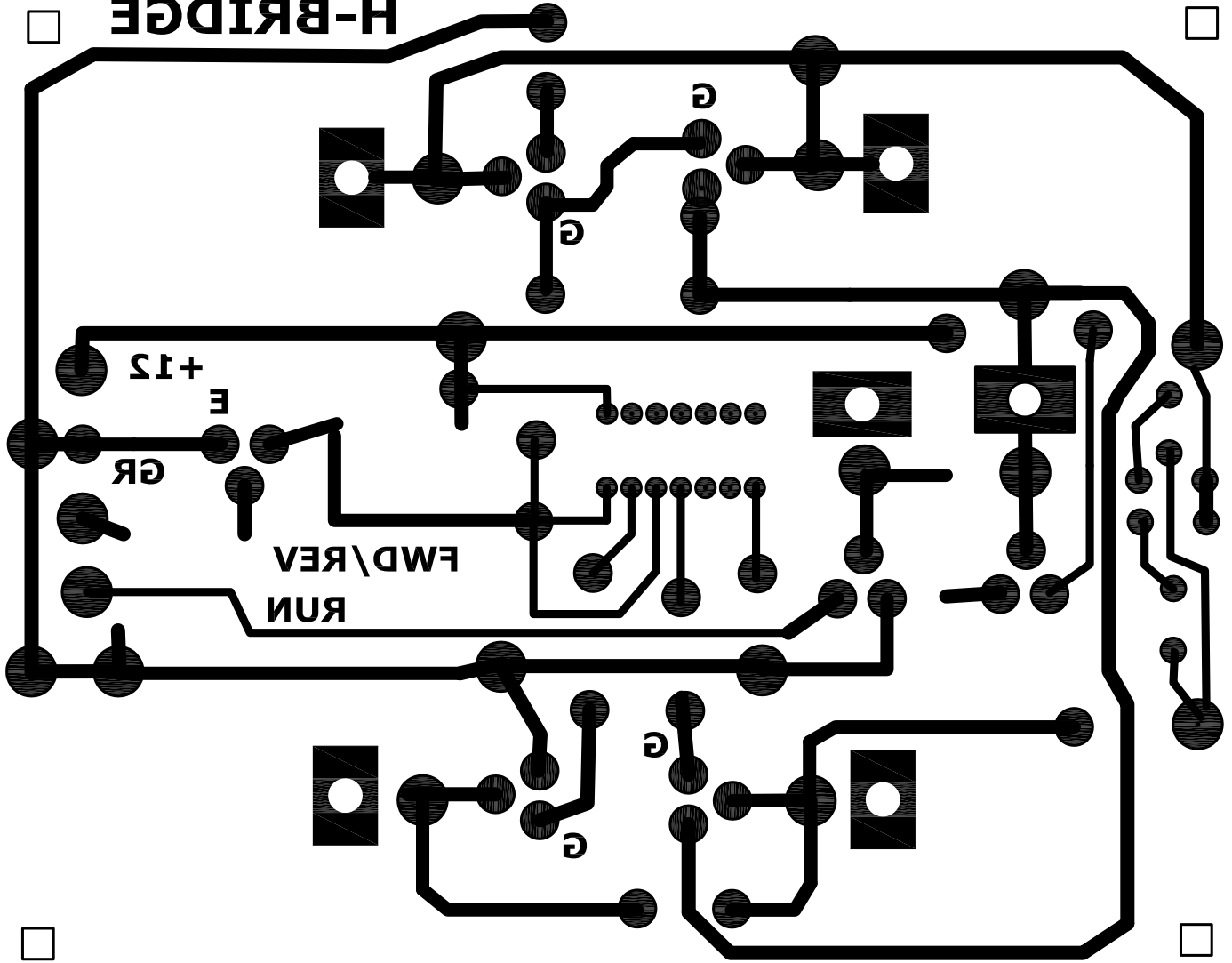
Schematic Digital Interface

H-Bridge DC Motor Controller

Sheet 2 of 8

Jan/2007

H-BRIDGE

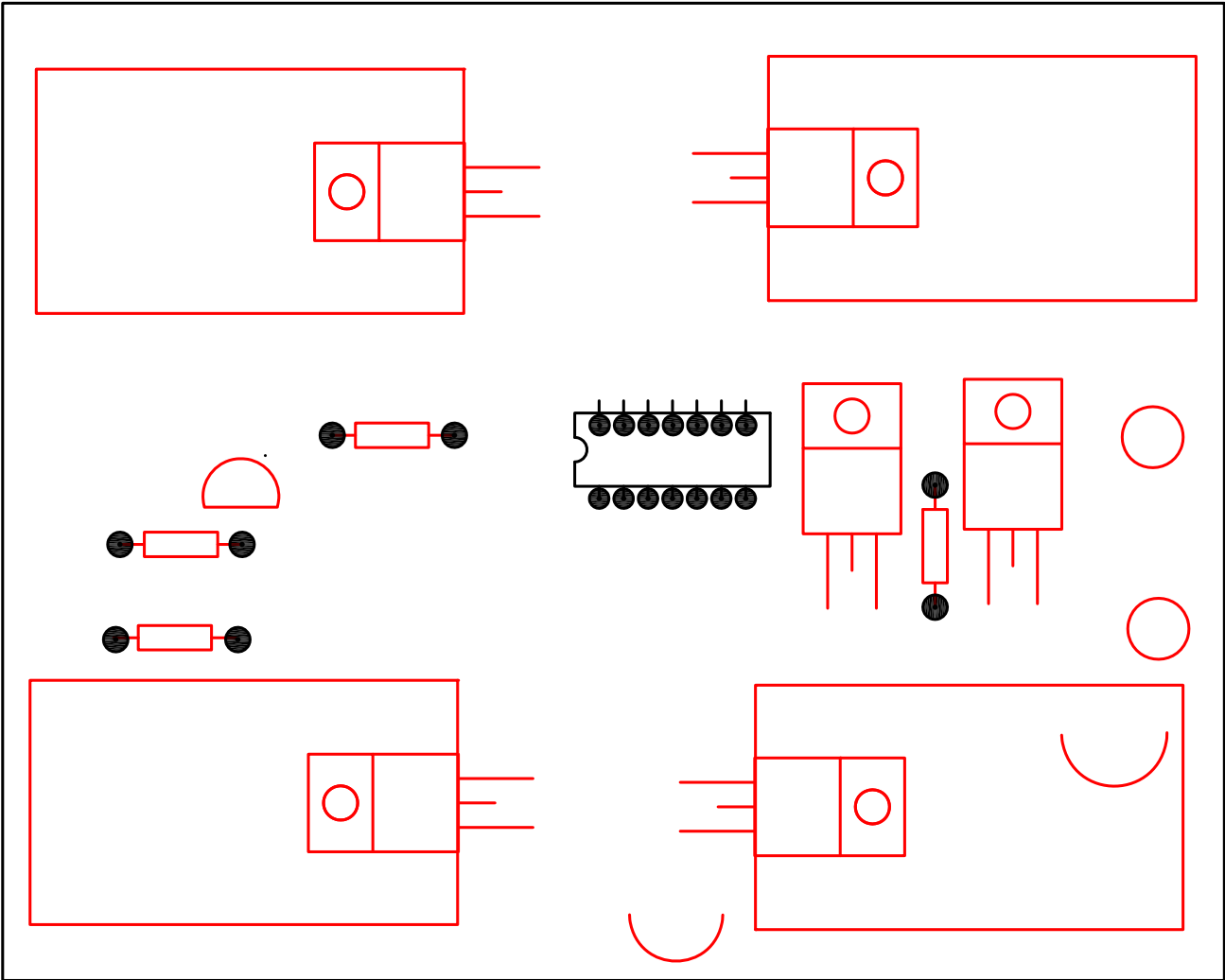


Printed Circuit Board Layout

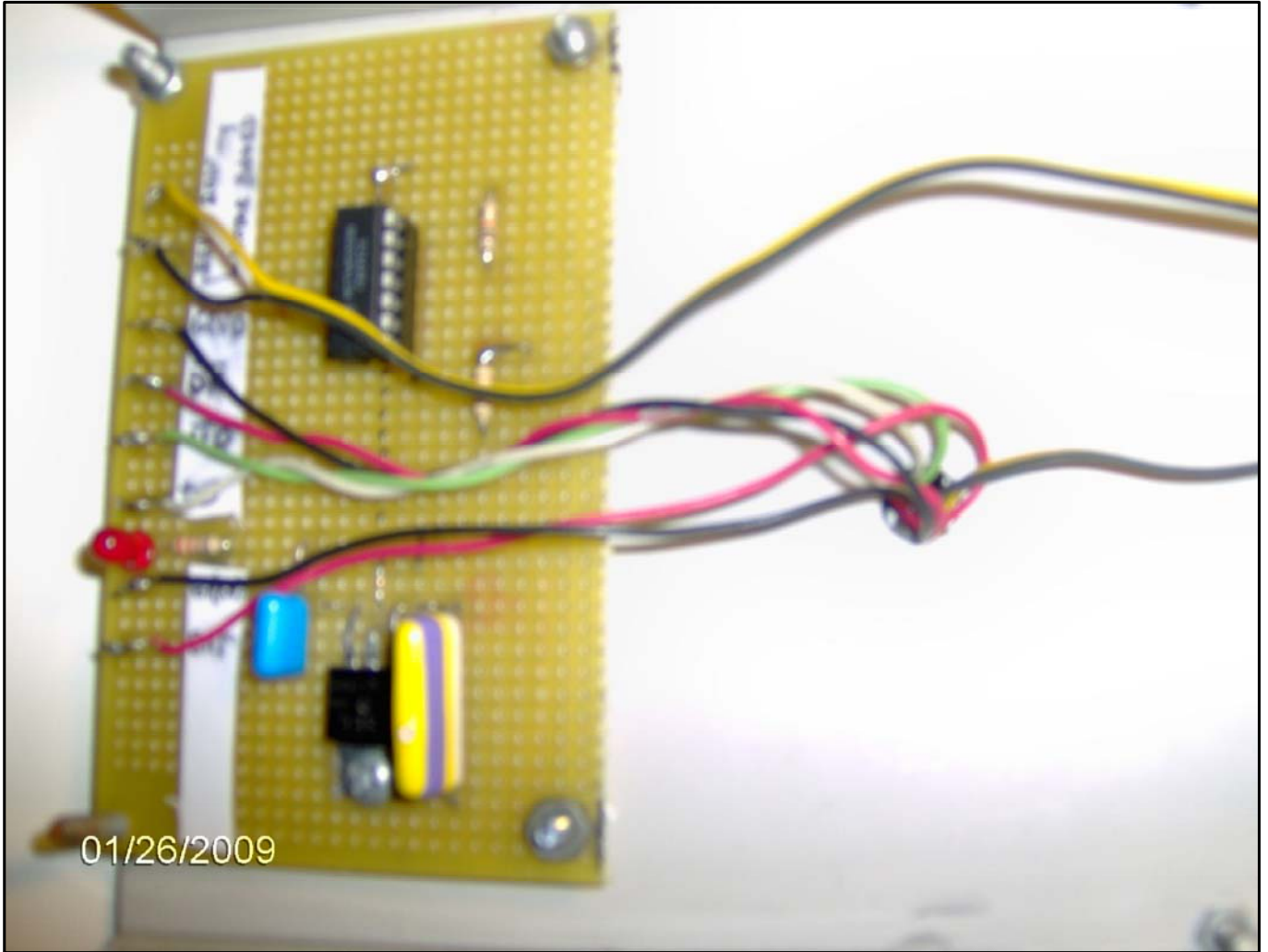
H-Bridge DC Motor Controller

Sheet 3 of 8

Jan/2007



Component Layout	
H-Bridge DC Motor Controller	
Sheet 4 of 8	Jan/2007

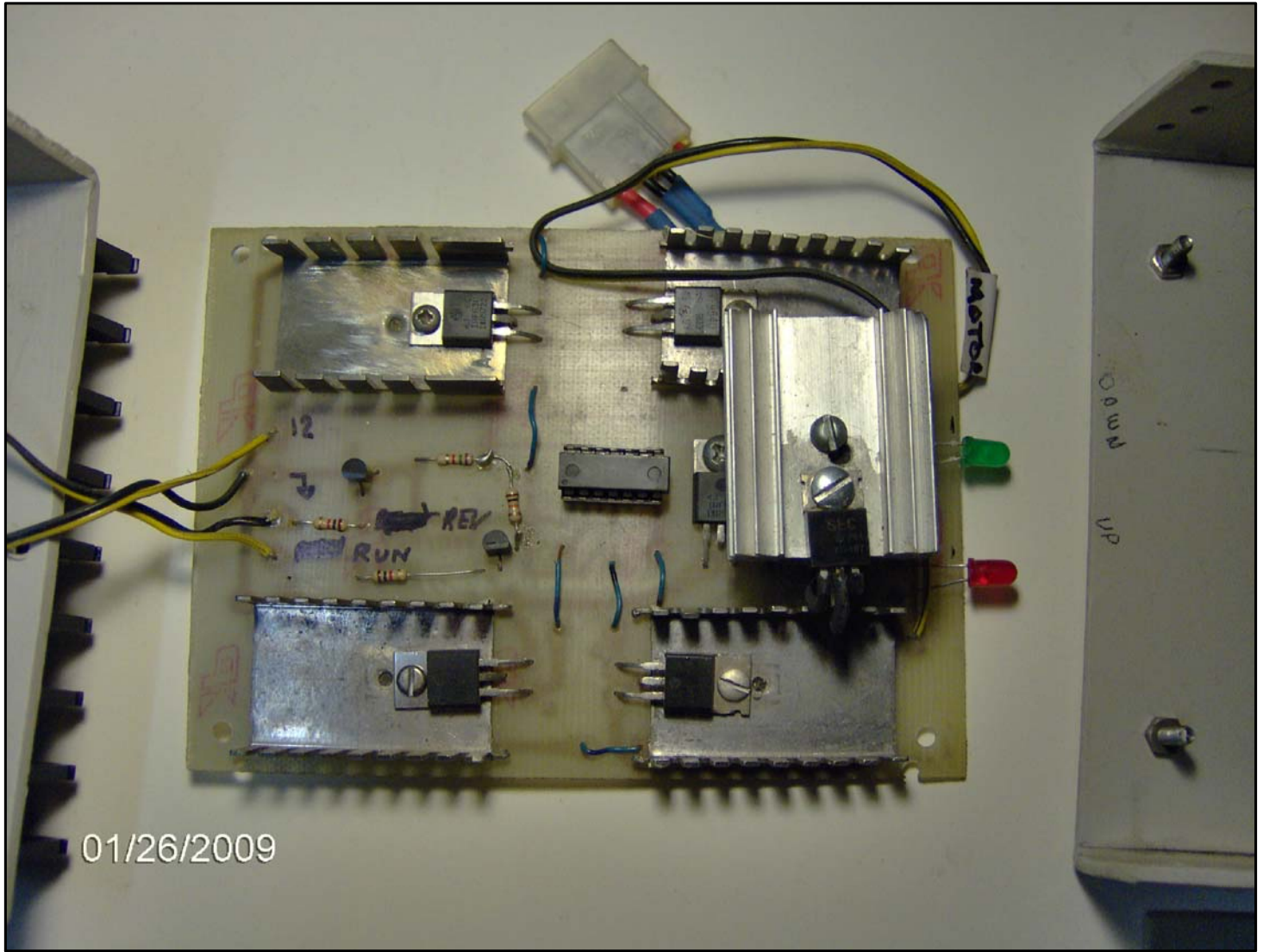


Digital Interface

H-Bridge DC Motor Controller

Sheet 5 of 8

Jan/2007



01/26/2009

Assembled PCB

H-Bridge DC Motor Controller

Sheet 6 of 8

Jan/2007

