

05/02/2009



**Power On**



**IN**



**OUT**



**SIDE HILL GOUGER**  
**In/Out Table Controller**

**+ 12 Battery**

**+ 24 Volts**

**Ground**

**COMP IN**

**COMP OUT**

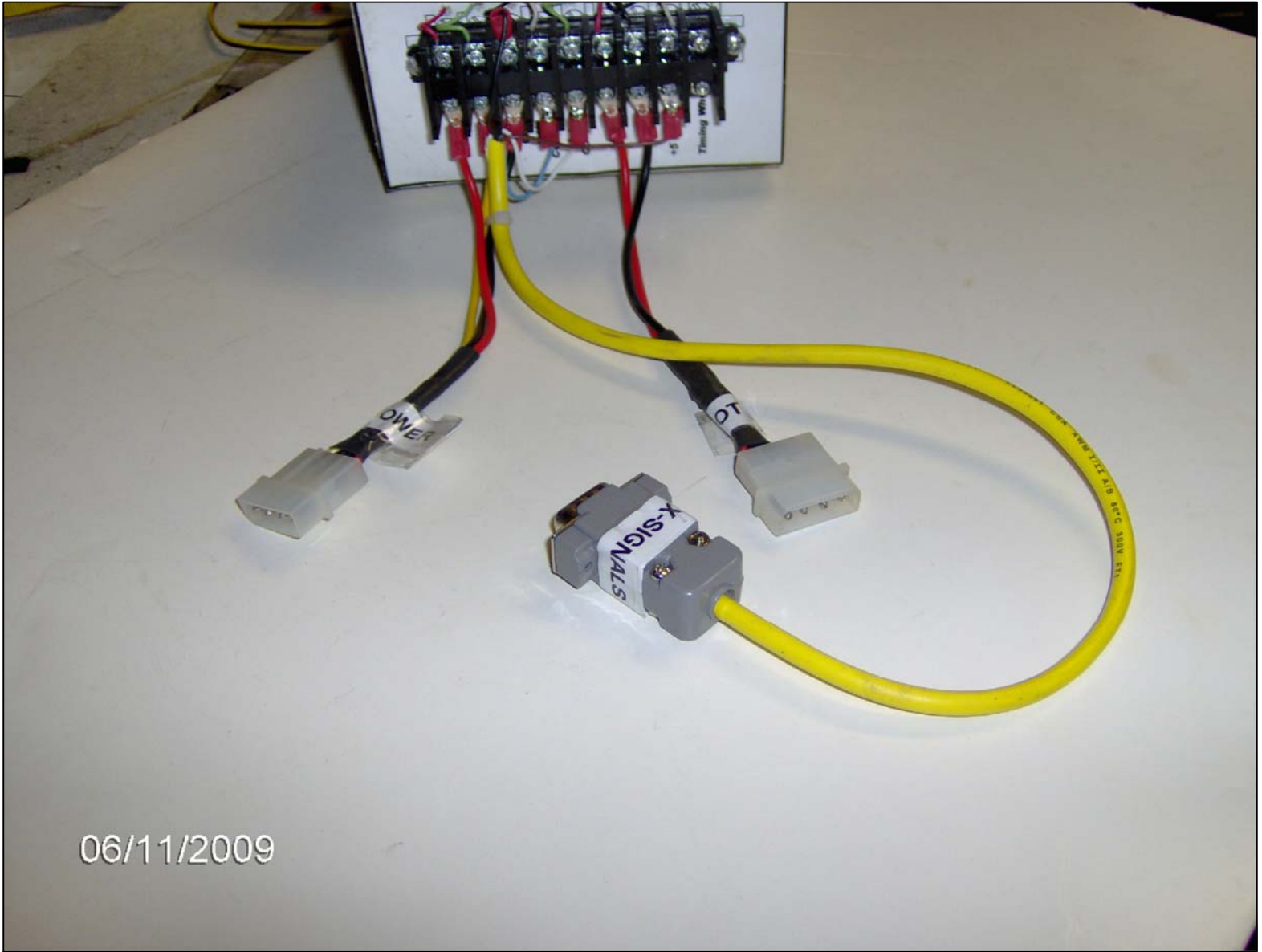
**MOTOR**

**MOTOR**

**+5 Volts V**

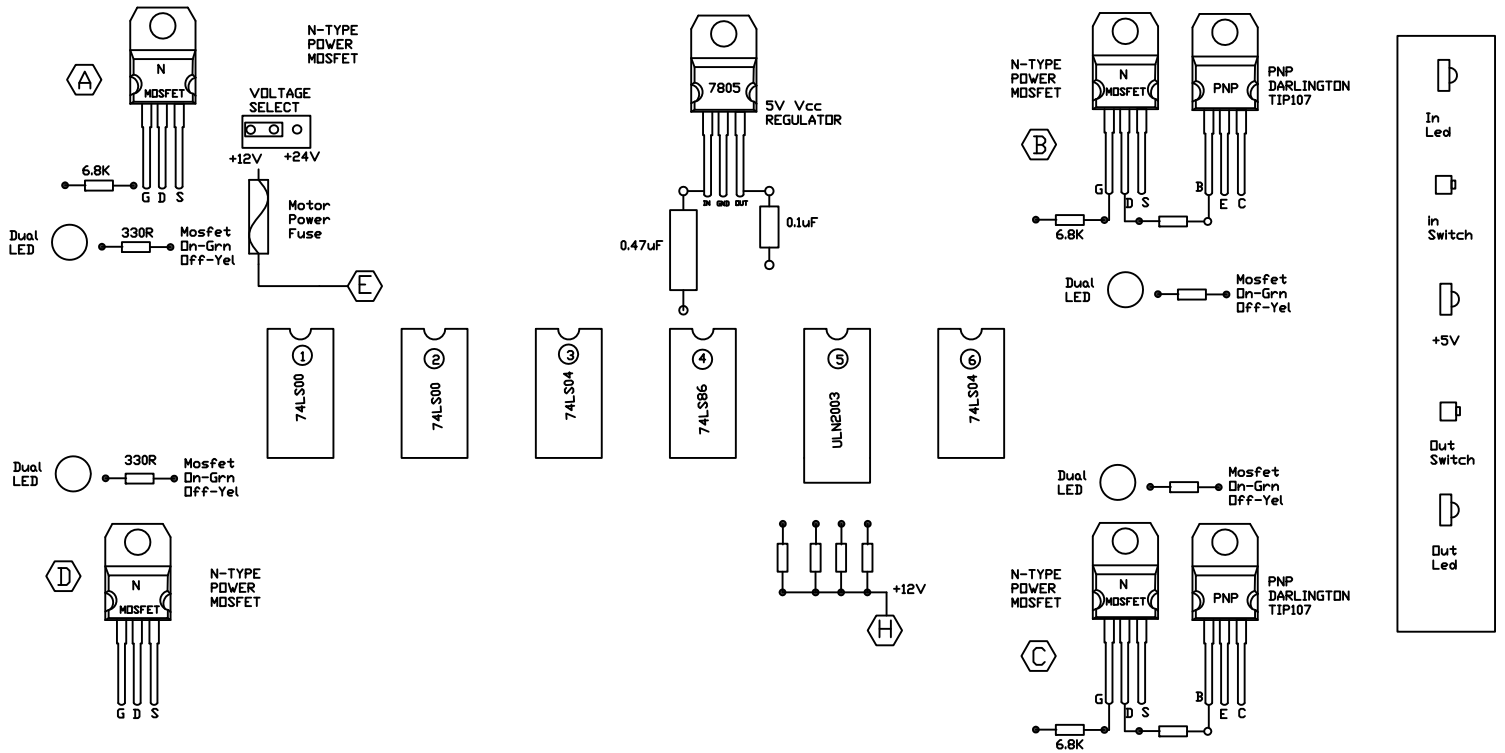
**Timing Wheel**





06/11/2009





**Modifications to P-Type MOSFET Drivers**

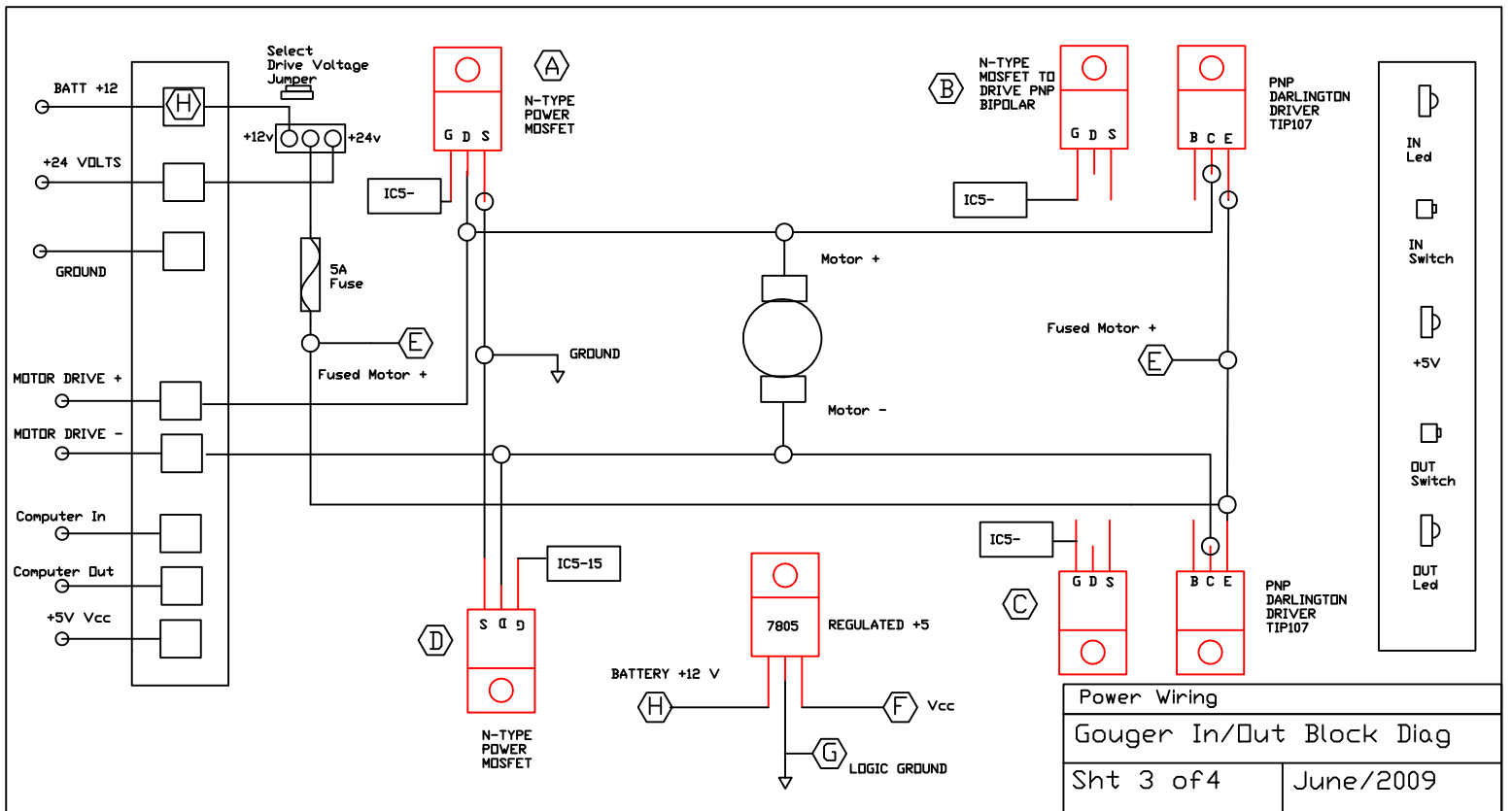
Changed the P-MOSFET Drivers and used a bipolar transistor instead because it was difficult to bias the turn off/on with the higher 24V Power Drive

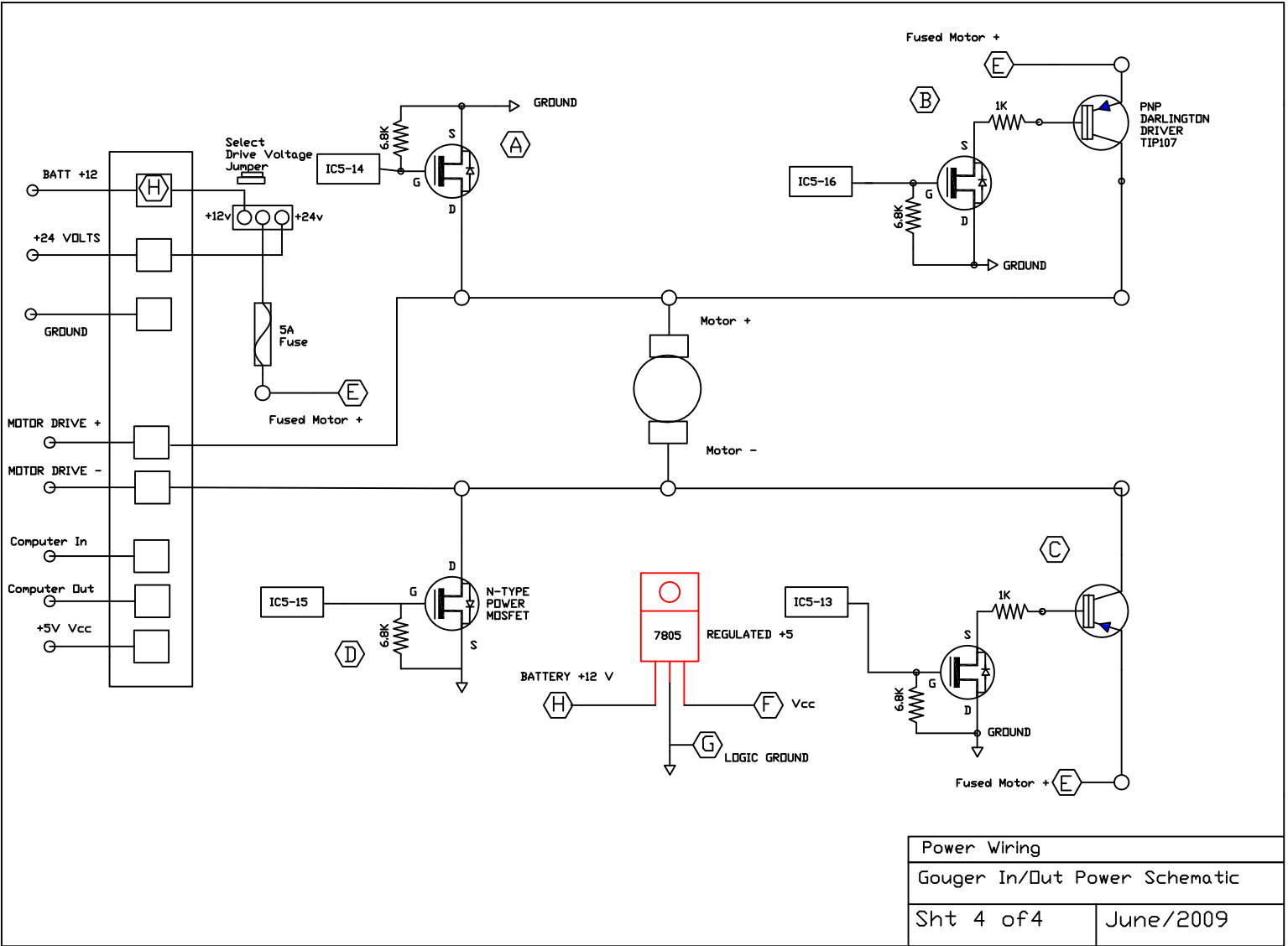
**Component Layout**

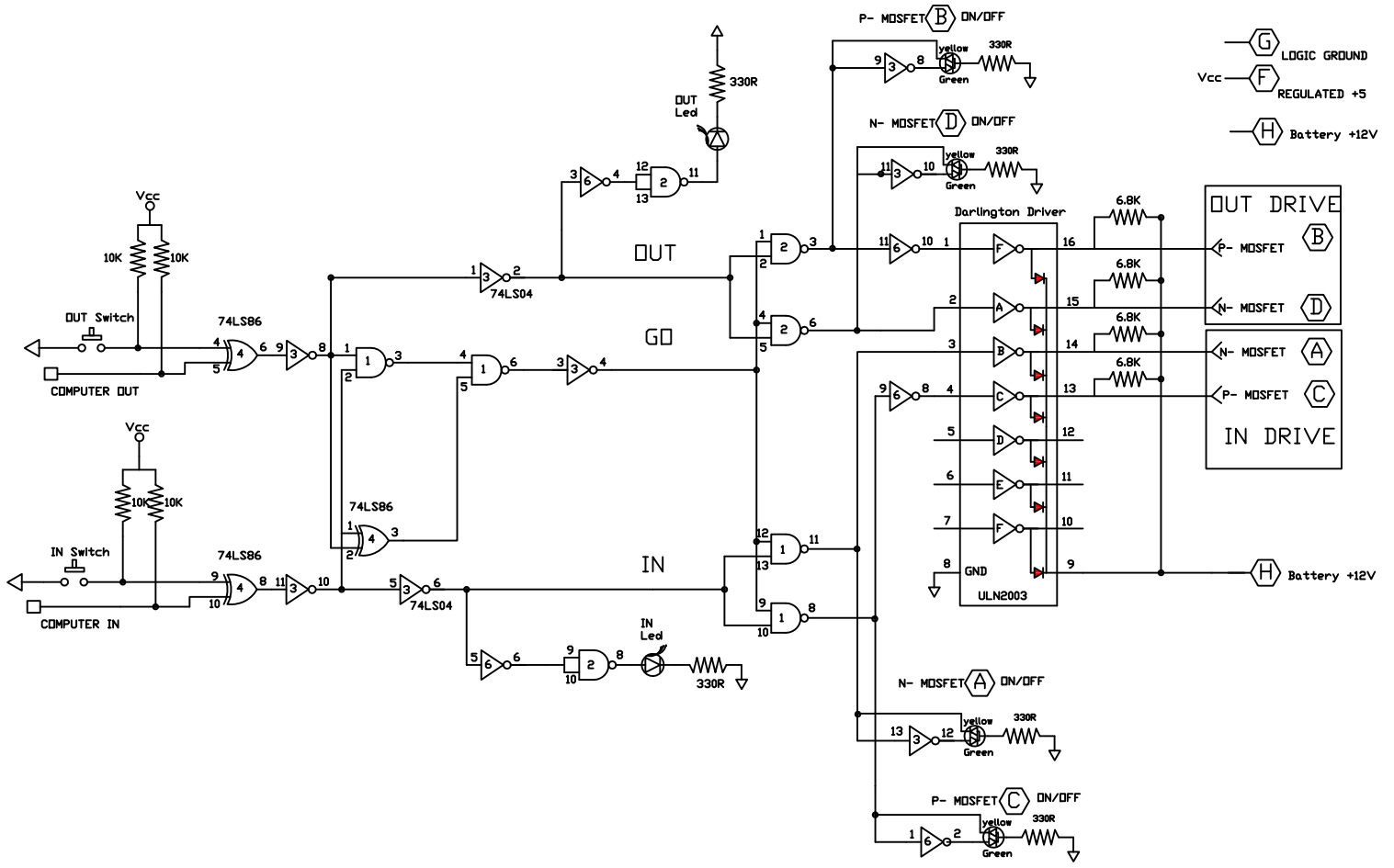
Gouger In/Out Layout

Sht 2 of 4

June/2009







Schematic-Side Hill Gouger X-Drive	
In/Out Digital H-Bridge Control for Gouger	
Sht 1 of 4	June/2009